

ACTIFY SPINFIRE PROFESSIONAL 8.3

Provided By:
**OPTIVA
SYSTEMS**



WHY SPINFIRE PRO 8.3?

- Display and interact with Product Manufacturing Information (PMI) annotations—NEW to SpinFire Professional 8.3
- Use API to create custom solutions—NEW to SpinFire Professional 8.3
- Create exploded views and animations quickly and easily—NEW to SpinFire Professional 8.3
- Capture all part data for later access, mark-up, and measurement—no CAD system or original files required
- Merge assembly files to create one complete, digital prototype for early-in-the-process design analysis
- Organize and store related design documents, of any file type, inside one compact .3D file
- Share and collaborate on design data enterprise-wide—without CAD software or even CAD knowledge
- Condense the manufacturing lifecycle; reduce design errors, costs, time; and boost productivity

For a competitive advantage, get the software with a few of its own.

SpinFire Professional 8.3 cuts costs and boosts productivity across the manufacturing enterprise and supply chain by enabling faster, more efficient communication of 3D and 2D design data. Use it to produce quick and accurate quotes, inspect the quality of 3D designs while on the shop floor to limit excess scrap, and much more.

Leverage design data enterprise-wide

Optiva Systems' Actify SpinFire™ Professional 8.3 enables manufacturing organizations and their supply chains to easily access, interact with, and communicate part data plus related files and documentation. All major 3D and 2D CAD data formats allowed. No CAD system required. One solution does it all.

Bring products to market faster



Gain a competitive edge in every manufacturing-related step. Simply use Actify's compact and user-friendly .3D files to view, measure, mark up, and share native 3D and 2D CAD data. From product design, procurement, and quoting and estimating through sales, marketing, and customer support—all functions benefit from instant access to complete and

accurate design data, lower operating costs, and compressed cycle times.

SpinFire Pro 8.3 sets new standard

Already a customer? Upgrade to SpinFire Professional 8.3 to display and interact with Product Manufacturing Information (PMI) and geometric dimensioning and tolerancing (GD&T) annotations. The new API enables you to devise custom plug-ins for solving unique challenges. And you'll work more efficiently in a more intuitive, toolbar-based user interface. Other productivity-boosting improvements include sum of connected edges mark-ups, a variety of new user views, the ability to quickly create animations simply by picking points across a "handle" attached to a 3D surface, and greater printing control.

Open and view any CAD file—and access all part data

Open, view, and mark up all 3D and 2D CAD data from within one easy-to-access file? Sure. You'd expect nothing less from the market leader in digital design communications. But SpinFire Professional goes further, accurately preserving the part data as it is published in the software's .3D format. So, even without the original CAD data, you can compute volume and surface area, measure thickness and angles, and more. And anyone can open and view all data and all mark-ups using Actify's free, downloadable SpinFire Reader.

SPINFIRE 8.3 SPECS

Software:

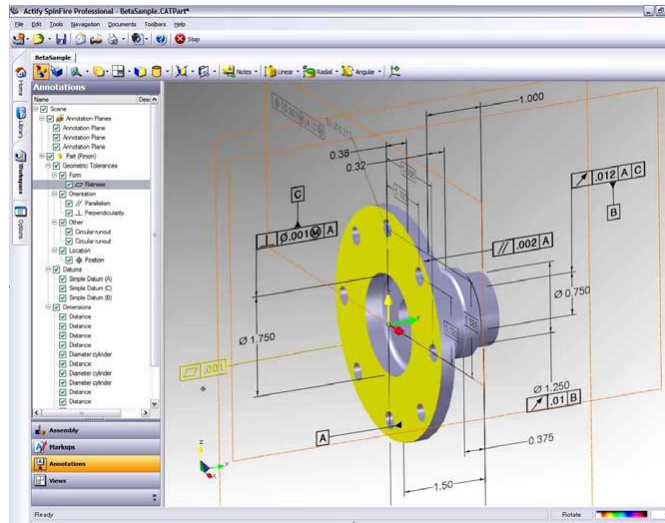
Microsoft Windows XP. Microsoft Windows 2000 SP4 and Vista

Hardware, Minimum:

- 1GHz or faster processor speed
- 512MB RAM
- 32K colors
- 200MB free hard disk space

Hardware, Recommended:

- 2GHz or faster processor speed
- 1GB RAM or more
- OpenGL-compliant video card with 64MB RAM
- 500MB free hard disk space



SpinFire Professional 8.0 offers unique PMI (GD&T) capabilities: forward-reading labels, no matter how the model is rotated; "display priority" that increases readability and comprehension; and the ability to interrogate by PMI type rather than just part or surface

Build virtual prototypes from variously formatted CAD files

Good news: The complete assembly has been designed. Bad news: It exists piecemeal, in multiple files and CAD formats. Best news: You can bring each file into the SpinFire Professional .3D WorkSpace and digitally mock up a unified virtual prototype. Now identify design flaws or improvements before committing time and resources to creating a physical prototype. The result: a shorter design cycle and minimized production costs.

Organize multiple document types in one easy-to-use file

How much time would you save by centralizing related design data in a single compact .3D file? Easily share, access, switch between, and even hyperlink technical specifications, bills of material, 3D models, 2D drawings, PDF and Microsoft Office documents, TIFF and GIF graphic files, and more.



CONTACT US

For more information about Optiva Systems' Actify SpinFire Professional, please visit www.optivasystems.com, email info@optivasystems.com or call (877) OPTIVA-1.